

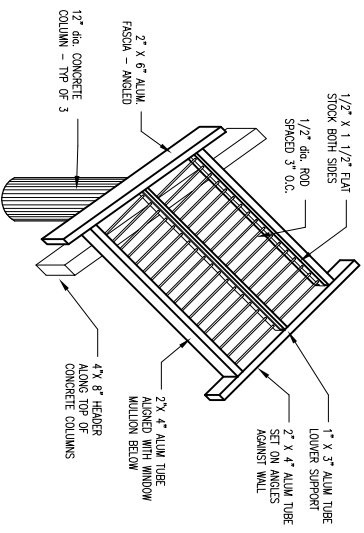


CITY OF CLEVELAND

GATEWAY BIKE STATION

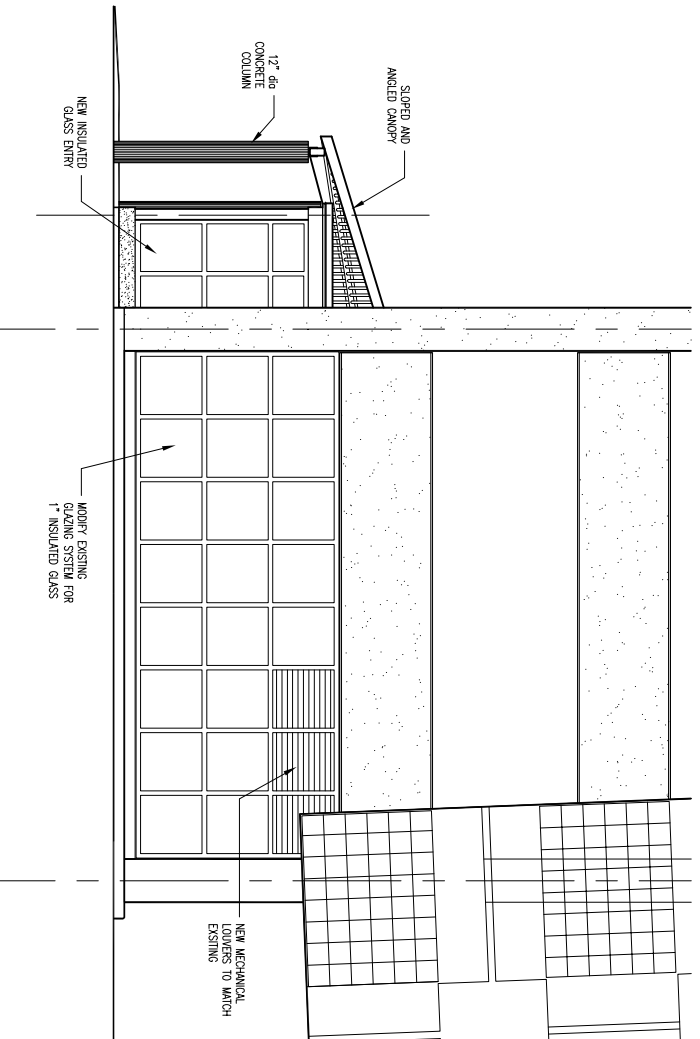
PROPOSAL SCHEME FOUR

PARTIAL ELEVATIONS



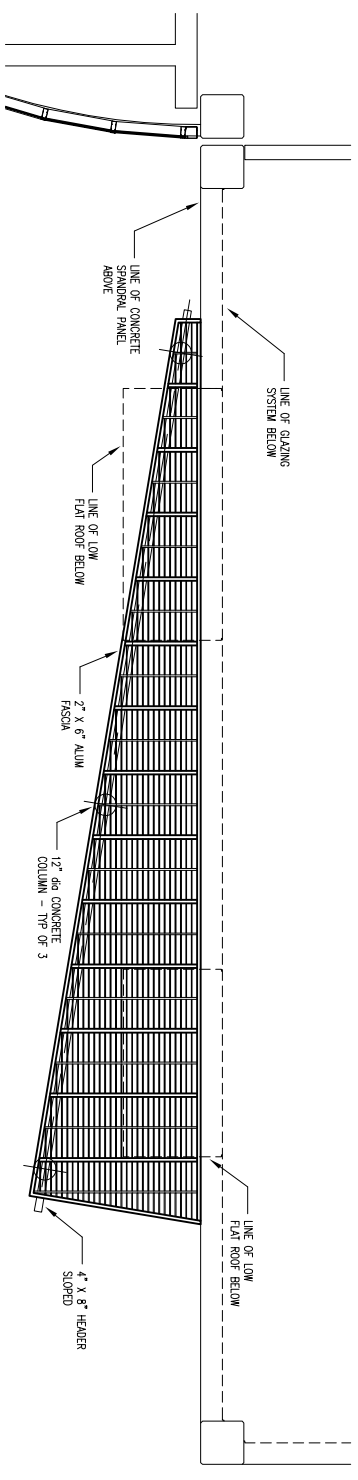
ROOF CANOPY
ISOMETRIC

SCALE: 1/2" = 1'-0"



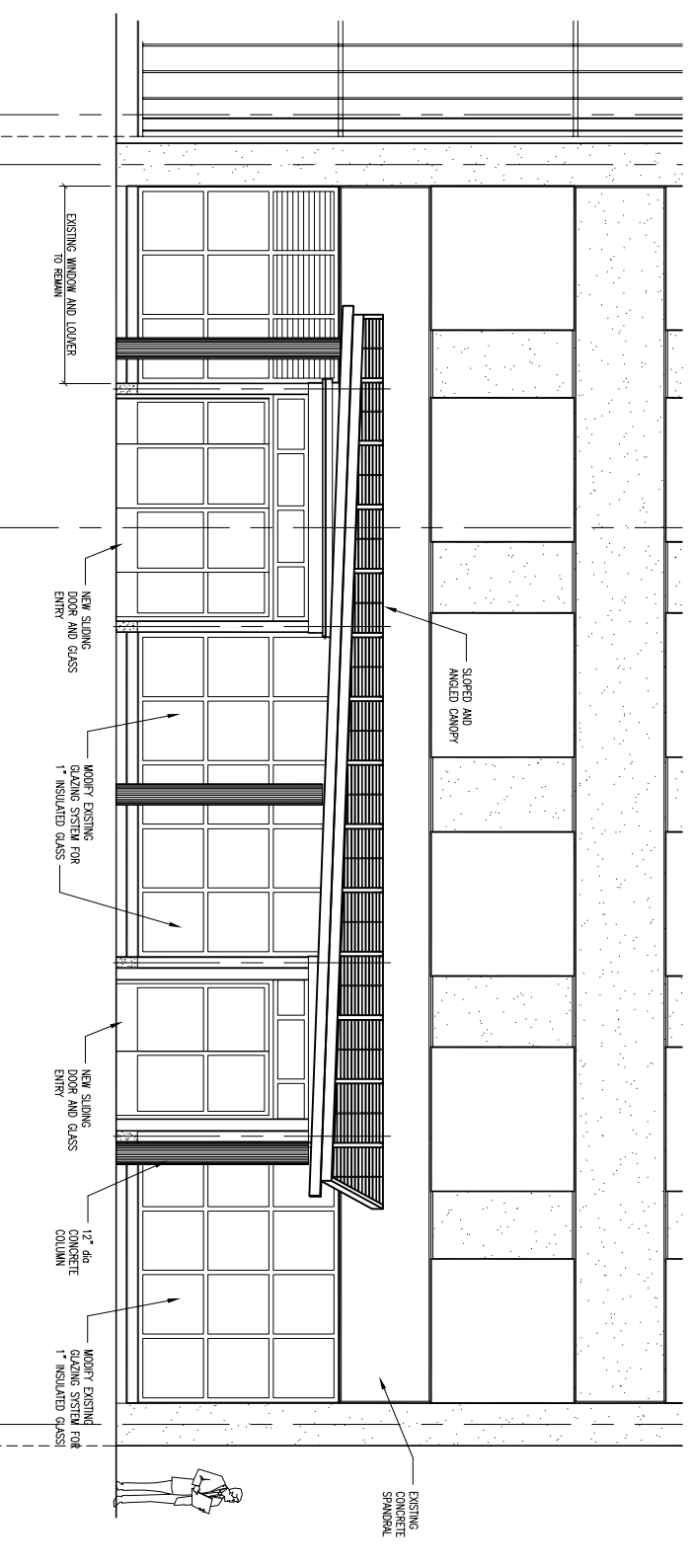
PARTIAL EXTERIOR
ELEVATION

SCALE: 1/4" = 1'-0"



ROOF CANOPY
PARTIAL PLAN

SCALE: 1/4" = 1'-0"



PARTIAL EXTERIOR
ELEVATION

SCALE: 1/4" = 1'-0"

Division of Architecture
Cleveland City Hall
601 Lakeside Avenue
Room 517
Cleveland, Ohio 44114
Phone: 216 664-2374
Fax: 216 664-4220



MARCH 23, 2009